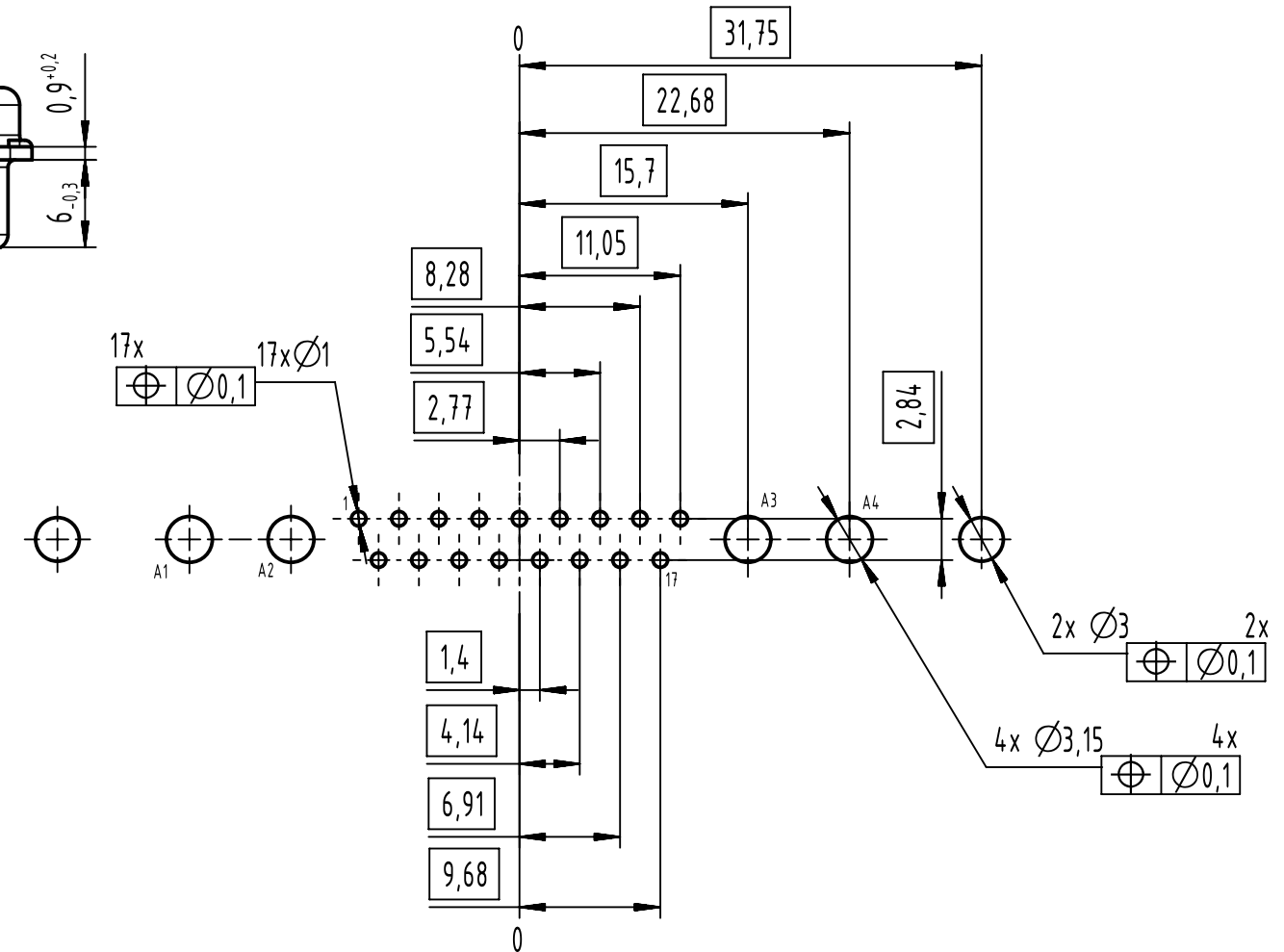
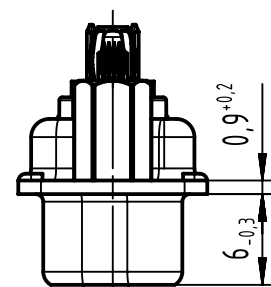


PCB hole pattern mounting side
Recommended thickness 1,6



09694009314	NM30
Part number	Performance level

	All rights reserved	Created by ZHUANGJ	Inspected by LUOK	Standardisation ROEBEN	Date 2022-01-27	State Final Release
	Department EL PD	Title D-Sub M 21WA4 STR MA 20A UNC NM30 BL				Doc-Key / ECM-Nr. 100989568/UGD/000/A 500000208965
HARTING D-32339 Espelkamp	Type TB	Number 09694009314		Rev. A	Page 1/1	